

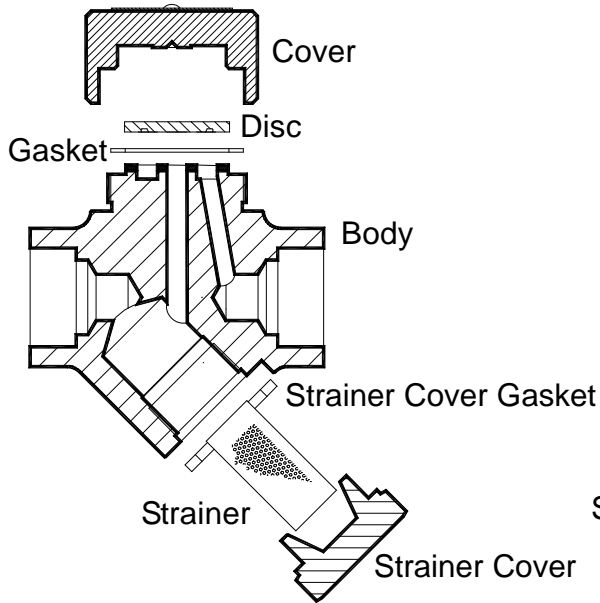
# **Velan Valves Ltd Leicester, England**

## **THEMODYNAMIC MODELS VTS, PTD, HPTD**

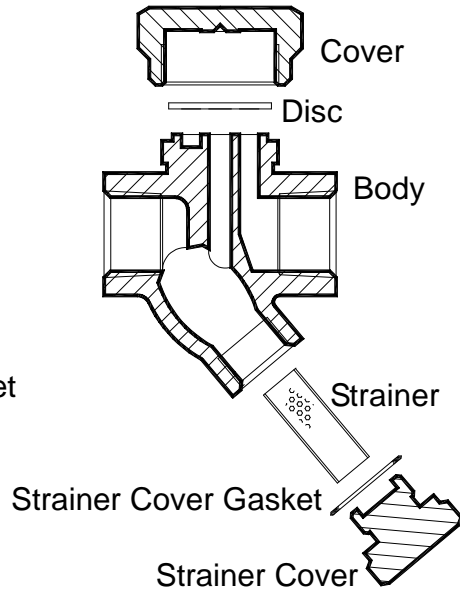
### **INSTALLATION, SERVICING AND MAINTENANCE INSTRUCTIONS**

	<b>CONTENTS</b>	<b>PAGE</b>
<b>1. INSTALLATION</b>		<b>3</b>
<b>2. OPERATION</b>		<b>4</b>

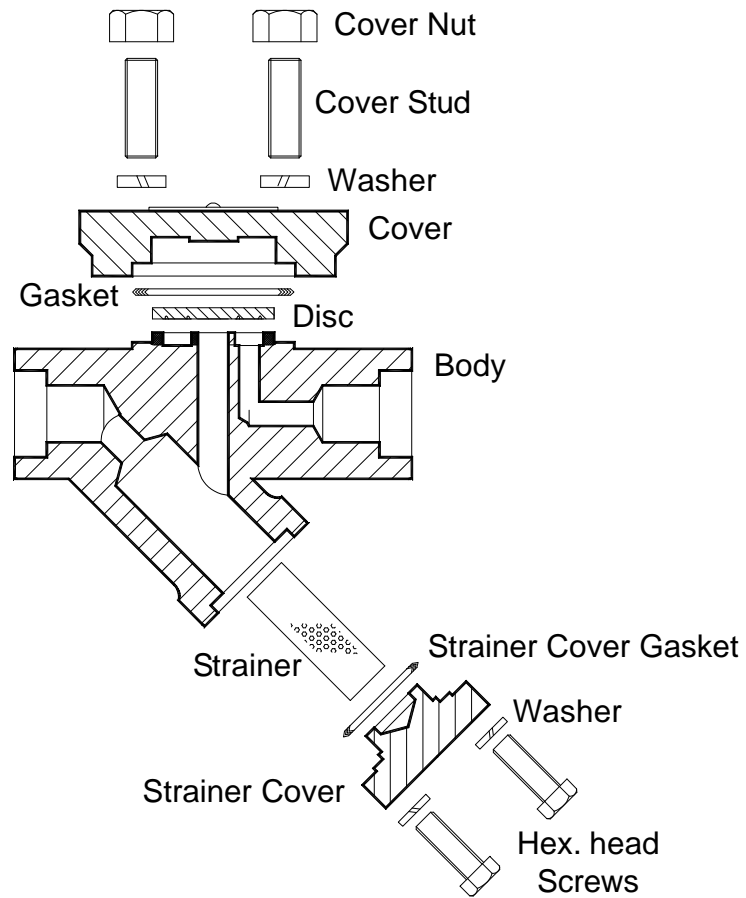
**MODELS VTS**  
**Stellited seating face**



**MODELS PTD**  
**Hardened seating face**



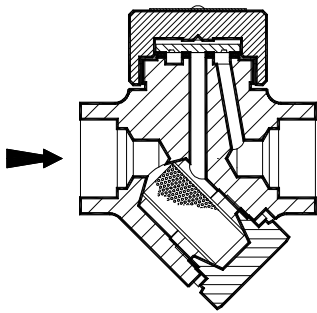
**MODELS HPTD**  
**Stellited seating face**



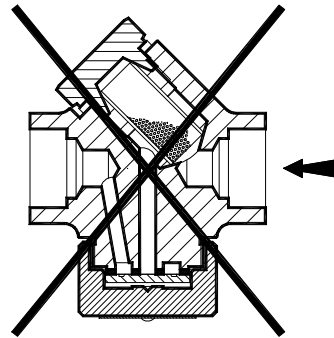
This range of thermodynamic steam traps are particularly suitable for duties such as Multi-platen presses, Garment presses, Rubber and plastic moulding equipment, Sterilizers and Laundry ironers.

## INSTALLATION AND OPERATION

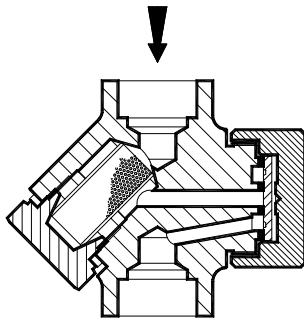
### 1. INSTALLATION



Horizontal - GOOD



Horizontal - WRONG



Vertical - ACCEPTABLE

## 2. OPERATION

High velocity flow of flash steam reduces pressure under disc, as pressure is increased in the chamber above disc. This pushes the disc towards the seat and shuts off flow to close trap. Pressure above disc decreases as steam condenses. The inlet pressure then lifts the disc to open trap.

### TORQUE

MODEL	MAIN COVERS		STRAINER COVER	
	Ft.lb	Nm	Ft.lb	Nm
VTS	200	271	150	203
PTD	180	244	60	81
HPTD	60	81	30	41