

THE CHALLENGE:

STOP PREMATURE TRAP FAILURE



THE SOLUTION:

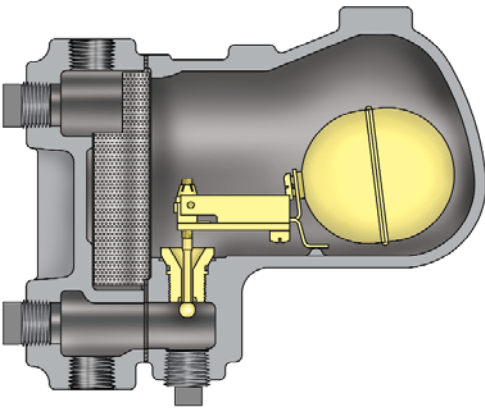
VELAN

Steam Traps

Turn Loss of Steam

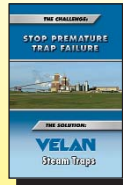


The Velan MFT with Bimetal Air Vent for Rugged Dependability



The Velan Steam Trap

To learn where
Velan Steam Traps
are found in
your facility visit
www.velansteamtraps.com
and click on this icon



To learn more about Velan Steam Traps and request a free catalog visit:
www.velansteamtraps.com or call 1-800-860-0233

VELAN

eam into Profit



Velan's Advanced Steam Trap Technology will STOP PREMATURE TRAP FAILURE

Velan Steam Traps last longer than any other steam trap available today. With the exclusive use of Stellite in the valve seat construction, and a modulated discharge design, Velan Steam Traps provide the lowest cost of ownership for your specific application.

- Velan Steam Traps outperform the competition in design and durability
- Velan Steam Traps modulate flow rather than blast on and off, increasing efficiency
- Exclusive Stellite construction has twice the wear tolerance of hardened stainless steel for tight shutoff and long life

www.velansteamtraps.com

VELAN

**Steam Trap Sales
c/o James D. Acers Company, Master Distributor
1510 12th Street
Cloquet, MN 55720
United States of America**

PRESORTED
FIRST-CLASS MAIL
U.S. POSTAGE
PAID
Brainerd, MN
Permit No. 472



Turn Loss of Steam into Profit