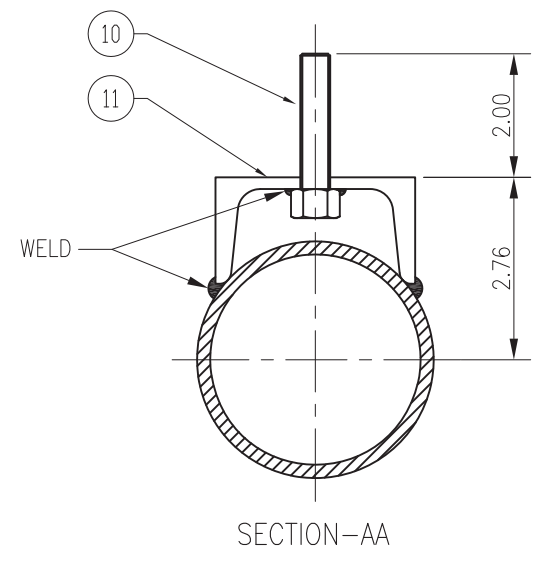


3D-VIEW

SI.No.	QTY.	DESCRIPTION	MATERIAL
1	1	MANIFOLD PIPE – 3" SCH 80	ASTM A106 GR.B
2	1	REDUCER 3" x 2"	ASTM A234 GR WPB
3	1	WELD NECK FLANGE – 2" CL 300	ASTM A105
4	16	SOCKOLET – 1/2" CL 3000	ASTM A105
5	17	BRANCH PIPE 1/2" SCH 160, 4"L	ASTM A106 GR.B
6	18	GATE VALVE – 1/2" CL 800 NPT(F)	ASTM A105
7	1	END CAP – 3" SCH 80	ASTM A234 GR WPB
8	1	HALF COUPLING – 3/4" CL 3000 (SOCKET TYPE)	ASTM A105
9	1	REDUCED TEE FITTING – 3/4" X 1/2" CL 3000 (SOCKET TYPE)	ASTM A105
10	4	BOLT – 1/2" UNC	ASTM A193 GR B7
11	4	3" CHANNEL, 4"L	ASTM A36
12	2	DRAIN PIPE 3/4" SCH 160, 4"L	ASTM A106 GR.B
13	1	GATE VALVE – 3/4" CL 800 NPT(F)	ASTM A105

TESTING:  
HYDRO SHELL : 1125 PSIG (CL.300)  
(UPTO VALVES)



VALVE FIGURE No.  
SM16-FF1G1S-CA25-CB25-02

-	-	INITIAL ISSUE	SN 06 NOV 15	SP 06 NOV 15	KS 06 NOV 15		
REV	ECN #	REVISION	REVISED	CHECKED	STRESS	APPRVD	IND REV
GENERAL MACHINING TOLERANCES		125	<b>VELAN</b> STEAM DISTRIBUTION MANIFOLD 16 TAKE OFF – 1/2" NPT				
DIM	0 - 1" ± .015	1" - 6" ± .031					
DESIGN FILE	PATTERN	MASTER / REFERENCE	NPS/DN	2"	CLASS/PN	300	
THIS DOCUMENT AND ALL INFORMATION HEREIN IS THE PROPERTY OF VELAN. IT IS CONFIDENTIAL, SUBJECT TO RETURN UPON REQUEST AND SHALL NOT BE REPRODUCED OR IMPARTED TO A THIRD PARTY. CE DOCUMENT ET TOUS LES RENSEIGNEMENTS QU'IL RENFERME SONT LA PROPRIÉTÉ DE VELAN. IL S'AGIT D'UN DOCUMENT CONFIDENTIEL. À RETENIR SUR DEMANDE, QUI NE DOIT PAS ÊTRE COPIÉ OU TRANSMIS À UN TIERS.			IGC	FORMAT C	CODE ASSY	VEL-SMF-V16-005	0
			SCALE	NTS	WT	146 LB	SHEET 1 OF 1 DE