

INCLINED STRAINERS

DESIGN FEATURES

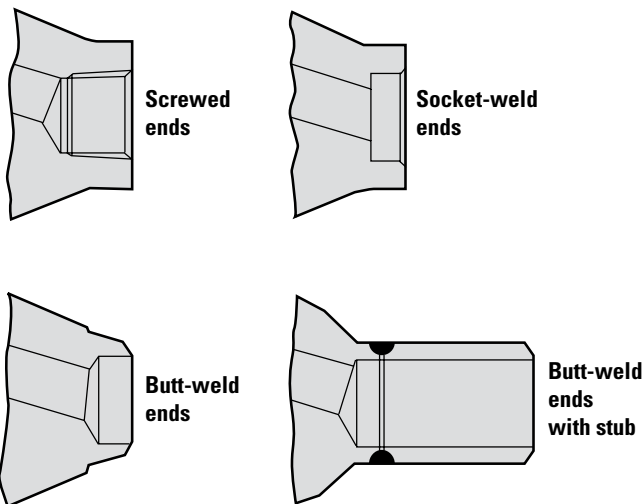
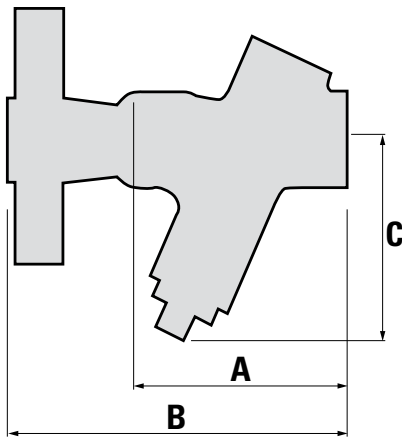
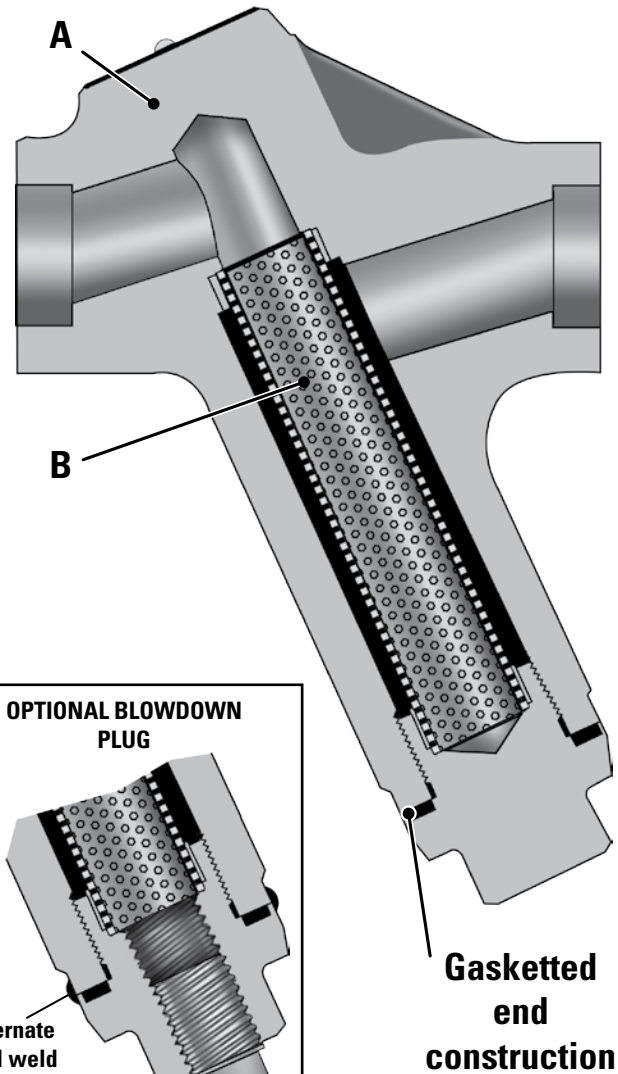
- **Forged body (A)**
Offers the advantages of high strength, structural integrity and reliability that make it an ideal choice for steam service.
- **Stainless steel screen (B)**
Can withstand severe abrasive service and is carefully fitted to prevent leakage between the screen and body.

Screens are normally supplied in stainless steel with 0.031" (0.8 mm) holes (26% free area).

- **Easy internal maintenance**
Strainers are extremely easy to clean. They may be blown down by simply removing the optional blow down plug or via a suitable valve fitted in its place.

APPLICATIONS

Velan strainers protect steam traps, pumps, temperature and pressure regulators, gauges, instruments, air motors and other equipment from dirt, scale and other debris.



DIMENSIONS & WEIGHTS

| SIZE NPS DN | A FACE TO FACE | | | | B BUTT WELD (STUBS) & FLANGED | | C CENTER TO BOTTOM | |
|-------------------|---------------------------------|--------------------------------|---------------------------------|--------------------------------|-------------------------------------|--------------------------------|--------------------------------|-------------------------------|
| | SCR/SW | | BW ⁽¹⁾ | | 1500 | 2500 | 1500 | 2500 |
| | 1500 | 2500 | 1500 | 2500 | | | | |
| 1/2 | 3 ⁵ / ₈ | 4 ¹ / ₄ | 3 ⁵ / ₈ | 4 ¹ / ₄ | 8 ¹ / ₂ | 10 ³ / ₈ | 5 | 5 |
| 15 | 92 | 108 | 92 | 108 | 216 | 264 | 127 | 127 |
| 3/4 | 4 ¹ / ₄ | 4 ¹ / ₄ | 4 ¹ / ₄ | 4 ¹ / ₄ | 9 | 10 ³ / ₄ | 5 ³ / ₈ | 5 ³ / ₄ |
| 20 | 108 | 108 | 108 | 108 | 229 | 273 | 136 | 146 |
| 1 | 5 ¹¹ / ₁₆ | 5 ⁵ / ₁₆ | 5 ¹¹ / ₁₆ | 5 ⁵ / ₁₆ | 10 | 12 ¹ / ₈ | 7 | |
| 25 | 144 | 135 | 144 | 135 | 254 | 308 | 178 | |
| 1 1/4 | 7 | | 6 ¹ / ₄ | 7 | 11 | 13 ³ / ₄ | 8 ¹ / ₂ | |
| 32 | 178 | | 159 | 178 | 297 | 349 | 216 | |
| 1 1/2 | 7 | | 6 ³ / ₄ | 7 | 12 | 15 ⁷ / ₈ | 8 ¹ / ₂ | |
| 40 | 178 | | 171 | 178 | 305 | 384 | 216 | |
| 2 | 8 | | 8 | 8 | 14 ¹ / ₂ | 17 ³ / ₄ | 12 ¹ / ₂ | |
| 50 | 203 | | 203 | 203 | 368 | 451 | 318 | |

(1) These butt-weld dimensions do not comply with ASME/ANSI B16.10 (BS 2080). Velan reserves the right to vary specifications from time to time.