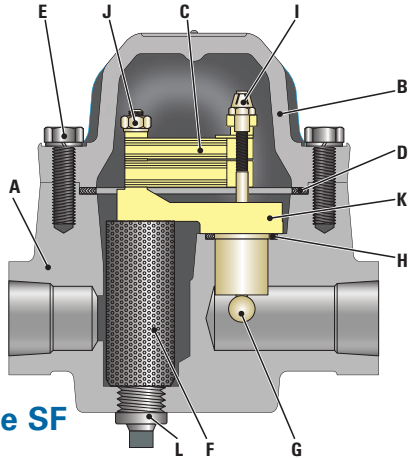


VELAN FORGED SF STEAM TRAPS



Type SF

STANDARD MATERIALS

PART	MATERIALS
A	Body Forged carbon steel A 105 (C. Max. 0.25)
B	Cover Same as body material
C	Bimetal element Truflex GB-14
D	Cover gasket S/S 316 core with graphite seal
E	Cover bolt ⁽¹⁾ Chrome moly. alloy
F	Strainer Stainless steel
G	Stem and ball SS, ball valve 58 Rc min.
H	Cage unit gasket S/S 316 core with graphite seal
I	Self-lock adjusting nut Stainless steel
J	Fixing screw Stainless steel
K	Bimetal holder ⁽²⁾ Stainless steel
L	Plug 3/8 NPT Carbon steel

(1) B7-ANSI CLASS 300, SB637- ANSI CLASS 400.
(2) Seat hardfaced Stellite 6.

APPLICATIONS

Steam tracing or instrument cabinet service etc.

CONNECTIONS

- Screwed
- Socketweld
- Buttweld
- Flanged

ENGINEERING DATA

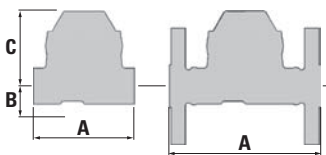
PRESSURE RANGE ⁽²⁾ psi/bar	PMO psi/bar	MATERIAL	MAX TEMP °F/°C	ORIFICE in/mm	MAX CAPACITY lb/hr/kg/hr
0-50 (0-3.5)	200 (14)	A105	850 ⁽¹⁾ 454	3/4 19	3,250 1,477
50-150 (3.5-10.4)	485 (33.5)			1/2 12.7	3,250 1,477
150-300 (10.4-21)	300 (21)			1/2 12.7	4,500 2,045

PRESSURE RANGE psi/bar	PMO psi/bar	MATERIAL	MAX TEMP °F/°C	ORIFICE in/mm	MAX CAPACITY lb/hr/kg/hr
300-400 (21-28)	400 (28)	A105	850 ⁽¹⁾ 454	3/8 9.5	3,100 1,409
400-600 (28-42)	600 (42)			5/16 8	2,600 1,182

Maximum body design condition: ANSI/ASME 300 (B7)
PMA = Maximum allowable pressure: 740psi.g @ 100°F (51bar.g @ 38°C)
Maximum cold hydrostatic test pressure: 1125psi.g (77bar.g)
Maximum body design condition: ANSI/ASME 400 (SB637)
PMA = Maximum allowable pressure: 990psi.g @ 100°F (68bar.g @ 38°C)
Maximum cold hydrostatic test pressure: 1500psi.g (703bar.g)
TMA = Maximum allowable temperature: 800°F (425°C)
PMO = Maximum operating pressure: (see Table)
TMO = Maximum operating temperature = TMA

(1) Permissible, but not recommended for prolonged use above 800°F (427°C).
(2) Pressure range indicated in the above table is the preferred operating range, however the trap is functional from Ops to its maximum operating pressure.

Clearance for Strainer Removal:
SF 6 in (152 mm) min.

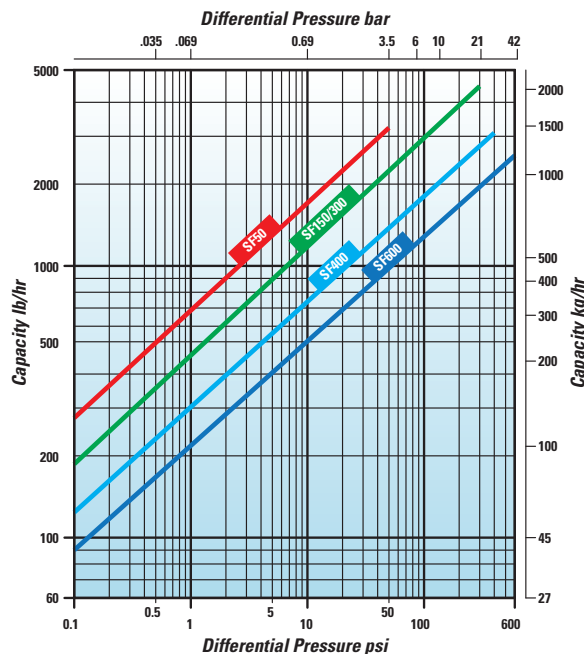


DIMENSIONS & WEIGHTS

SIZE in/mm	A FACE TO FACE			B CENTER TO BOTTOM	C CENTER TO TOP	WEIGHT lb/kg		
	SCR/SW	BW	FLG			SCR/SW	BW	FLG
1/2 3/4 1 15 20 25	6 1/8 156	12 1/8 308	8 1/8 ⁽¹⁾ 206	2 1/8 54	4 3/4 121	13 6	16 7	21 ⁽²⁾ 9.5

(1) SF300/600 FLG: 9 1/8 in (232mm). (2) SF300/600 FLG: 23lb (10.4KG).

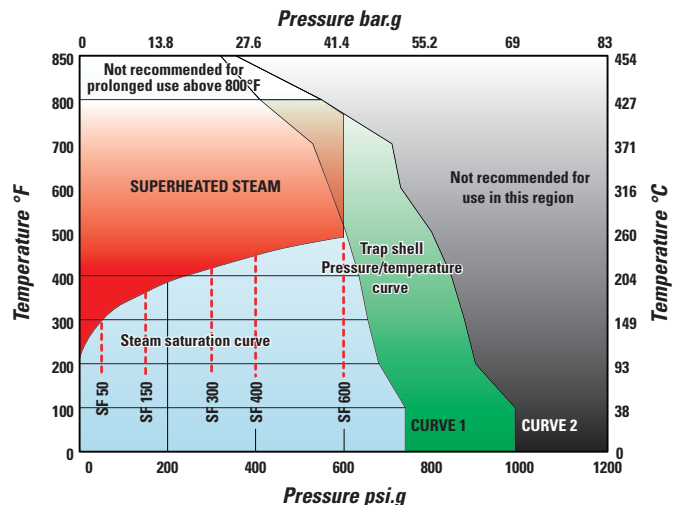
CONDENSATE CAPACITY



Maximum cold water capacity x 3.5

The performance graph indicates the continuous discharge capacities of condensate per hour at various pressure differentials across the trap.

PRESSURE / TEMPERATURE LIMITS



Bolting:
ASME SA193 B7 – Curve 1: Ansi 300,
ASME SB637 N07718 – Curve 2: Ansi 400

----- Pressure limit for trap type